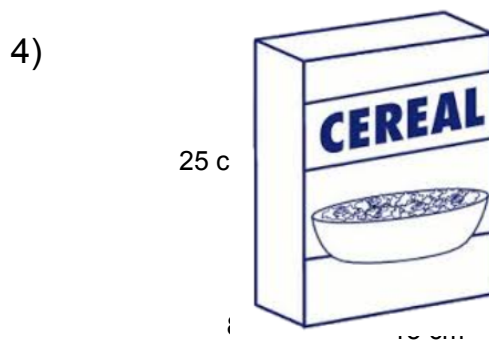
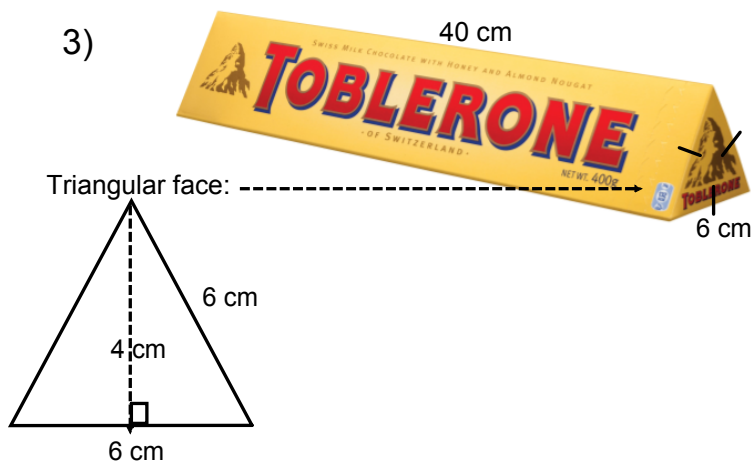
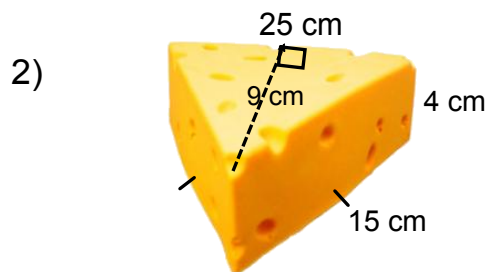
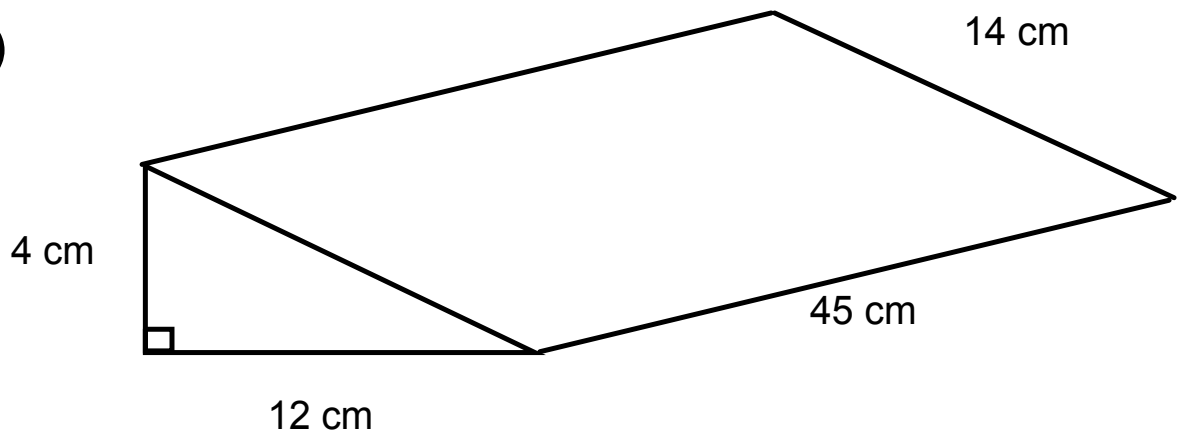


TSA Practise Sheet

These questions will improve your skill in finding the TSA of rectangular prisms and triangular prisms.

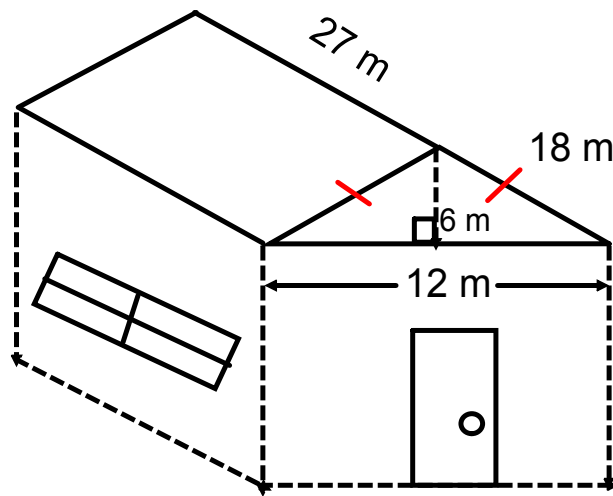


5)



The skateboard ramp above needs to be painted on all surfaces. How much paint, in cm^2 , will be required?

6)



The top of the barn must be shingled to keep the rain out. What surface area must be covered?